



with **U Bolt Cote[®]**
Atlas[®] Pipe Supports



TECNOLOGÍA TOTAL
www.tecnologiatotal.net



ADVANCE
PRODUCTS & SYSTEMS, INC.

ISO-9001 CERTIFIED COMPANY - FM537405



TECNOLOGÍA TOTAL
www.tecnologiatotal.net



PREVENT CORROSION

This is a typical example of accelerated corrosion occurring due to metal contact between the uncoated u bolt and the pipe. The excessive corrosion and pitting can eventually develop into pinhole leaks. This interaction can be completely eliminated by utilizing APS U Bolt Cote® in conjunction with Atlas® Pipe Supports.



APPLICATION

U Bolt Cote® is excellent for eliminating corrosion problems on piping in refineries, chemical plants, paper mills, offshore platforms, rigs and the shipping industry. It is also excellent for shock absorption on plastic, FRP or glass-lined pipe and will help to reduce vibration and noise levels.

ADVANTAGES

Versatility - with a wide variety of sizes available, U Bolt Cote® can be applied to all sizes of u bolts.

Protection - A rugged and durable covering, eliminating metal to metal contact.

Reliability - Virtually unaffected by heat, ultraviolet rays, vibration, electrolysis, sandblasting or other rigors conducive to an industrial and marine environment.

Ease of Installation - The u bolt size has been considered to accommodate the coating thickness assuring a good fit over the pipe.

FEATURES

U Bolt Cote® is a seamless, vulcanized, polyolefin material that can be applied to all types of u bolts. It is available on hot-dipped galvanizes, Xylan (PTFE) and cadmium plated carbon steel, and on stainless steel.

ATLAS PIPE SUPPORT PADS

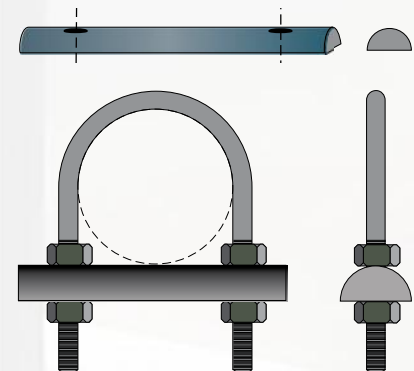


"Strong Enough to Hold the World, Built to Hold Your Pipe"

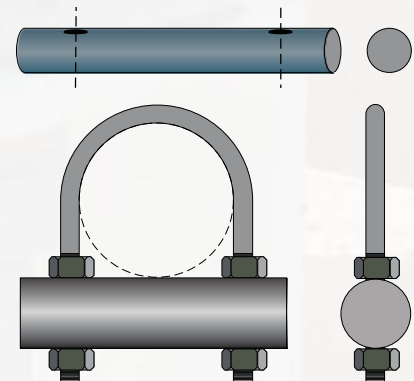
The Atlas 180® and Atlas 360® pipe support pads are the best pipe support solution due to zero water absorption and with minimal contact between pad and pipe, the possibility of crevice corrosion is eliminated. Also, Atlas® pads contain a UV additive to resist the harmful, degrading effects of sunlight.

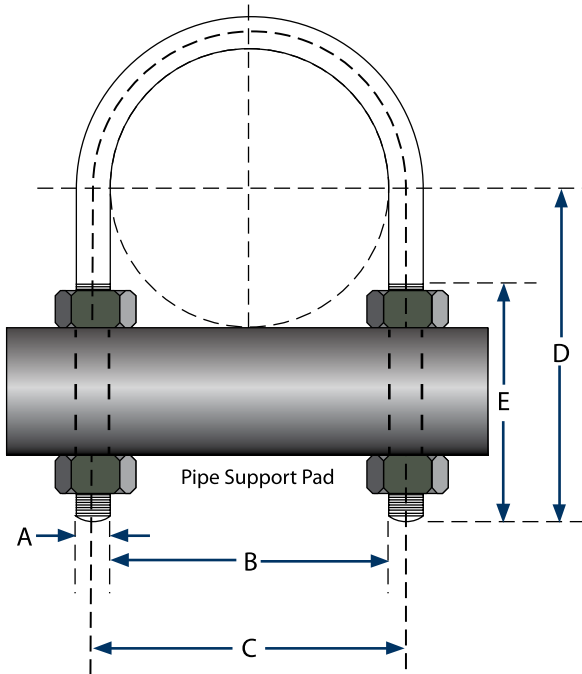
Note: Black pads provide better UV resistance than white pads. Both are made of high-density thermoplastic material.

Atlas 180®



Atlas 360®





Dimensional Data

Pipe Size	A	B	C	D	E	Weight per 100
3/4	1/4	1-1/8	1-3/8	2-5/8	2-1/2	13
1	1/4	1-3/8	1-5/8	2-3/4	2-1/2	14
1-1/4	3/8	1-3/4	2-1/8	2-7/8	2-1/2	38
1-1/2	3/8	2	2-3/8	3	2-1/2	39
2	3/8	2-1/2	2-7/8	3-1/4	2-1/2	42
2-1/2	1/2	3	3-1/2	3-3/4	3	90
3	1/2	3-5/8	4-1/8	4	3	99
4	1/2	4-5/8	5-1/8	4-1/2	3	115
5	1/2	5-5/8	6-1/8	5	3	128
6	5/8	6-3/4	7-3/8	6-1/8	3-3/4	239
8	5/8	8-3/4	9-3/8	7-7/8	3-3/4	283
10	3/4	10-7/8	11-5/8	8-3/8	4	479
12	7/8	12-7/8	13-3/4	9-5/8	4-1/4	764
14	7/8	14-1/8	15	10-1/4	4-1/4	820
16	7/8	16-1/8	17	11-1/4	4-1/4	870
18	1	18-1/8	19-1/8	12-5/8	4-3/4	1350
20	1	20-1/8	21-1/8	13-5/8	4-3/4	1460
24	1	24-1/8	25-1/8	15-5/8	4-3/4	1710
28	1	28-1/8	29-1/8	17-5/8	4-3/4	1800
30	1	30-1/8	31-1/8	18-5/8	4-3/4	1910
36	1	36-1/8	37-1/8	21-5/8	4-3/4	2320

Galvanized long tangent u bolts ranging in sizes from 3/4" through 20" are stock items. Larger sizes available upon request. All assemblies include coated u bolts, 4 nuts and pad

Physical Properties

Tensile Strength	1500 psi min.	ASTM D412
Elongation	300% min	ASTM D412
Heat Aging (168 hrs/121 °C)	1500 psi min	ASTM D2671
Tensile Elongation	300% min	ASTM D2671
Heat Shock	No cracks, flow or blisters	ASTM D2671
Low Temp. Flexibility (4hrs/-55 °C)	No cracking	ASTM D2671
Specific Gravity/ Temperature Limitation	0.96/200%	ASTM D792

Chemical Properties

Water Absorption	0.2%	ASTM D570
Corrosive Effect (16hrs/175 °C)	Pass	ASTM D2671 /Copper Rod
Fluid Resistance (24hrs/25 °C)		
Hydraulic Fluid (MIL-H-5606C)		
Tensile	90% retained min	ASTM D412
Elongation	90% retained min	ASTM D412
Lubricating Oil (MIL-L-7808G)		
Tensile	90% retained min	ASTM D412
Elongation	90% retained min	ASTM D412
Diesel Fuel (MIL-L-23699)		
Tensile	90% retained min	ASTM D412
Elongation	90% retained min	ASTM D412

OPTIONAL POWDER COATED U BOLT

General Description

This product has a high flow, functionalized polyethylene copolymer-based thermoplastic powder coating designed for maximum mechanical performance, impact resistance and UV-stability.

Application Data

- Recommended thickness is a minimum of 50 mils, and a maximum of 70 mils.
- Our proprietary material, Gal-vo-plast® is also used as a powder coat on u bolts. The melting point of Gal-vo-plast® is 221 °F.



Performance Properties	Testing Method	Results
Adhesion	ASTM D 4541, ASTM D 3359	>800 PSI (test conducted on blasted substrate)
Hardness (Shore D)	ASTM D 2240	52
Impact Resistance	ASTM B 2794	>384 in./lbs.
Salt Spray Resistance	ASTM b-117	>2,000 hours
Humidity Resistance	ASTM D 2247	No blistering or loss of gloss after 1,000 hours
Taber Abrasion	ASTM D 4060	100 (mg loss, CS 17 wheel)
Mandrel Bend	ASTM D 522	1/8 inch, no cracks (>32%)
Melt Index	ASTM D 1238	207
Gloss	ASTM D 523	60 - 75

TO ORDER PLEASE SPECIFY THE FOLLOWING

1. **Pipe Size**
2. **Material:** Carbon steel or stainless steel
3. **Coating:** Plated, galvanized or Xylan (PTFE)
4. **Pad:** Buna-N, viton or thermoplastic

OTHER PRODUCTS AVAILABLE

- Kleerband® Flange Protectors
- Radolid® Nut & Bolt Protection Caps
- Casing Spacers and End Seals
- Innerlynx® - Modular Mechanical Seals
- IsoJoint® - Monolithic Isolators
- Foreman Night Caps - temporary pipe plugs
- Standard Isolating Gasket Kits
- Integra SSA® - Cathodic Isolation Gaskets



ADVANCE

PRODUCTS & SYSTEMS, INC.

P. O. Box 60399 • Lafayette, Louisiana 70596-0399
800-315-6009 • 337-233-6116 • FAX: 337-232-3860
Email: sales@apsonline.com • Website: www.apsonline.com



ISO 9001
FM 537405



Made in USA

Distributed by:



TECNOLOGÍA TOTAL
www.tecnologiatotal.net

Advance Products & Systems, Inc. is not responsible for errors printed in this brochure.

Advance Products & Systems, Inc. shall repair or replace (within the limitations of such applicable express written warranty as may be issued by it) any product or portions thereof, which prove to be defective in workmanship or material for a period of 12 months from shipment date. The foregoing in lieu of all warranties, express or implied, and all other obligations or liabilities on the part of APS, on account of the product which it may sell. In no event shall APS be liable for consequential or special damages: nor except as it may otherwise specifically agree in writing, installation, or other work which may be done upon or in connection with the product by APS/ the distribution / dealer or others. THE LIMITED WARRANTIES PROVIDED IN THIS AGREEMENT AND THE OBLIGATIONS AND LIABILITIES OF APS ARE THE ONLY WARRANTIES MADE BY APS AS TO THE PRODUCT. APS MAKES NO EXPRESS OR OTHER IMPLIED WARRANTIES, BY COURSE OF DEALING, USAGE OF TRADE, MERCHANTABILITY, FITNESS FOR A PARTICULAR USE (WHETHER GENERAL OR SPECIFIC), OR OTHERWISE.