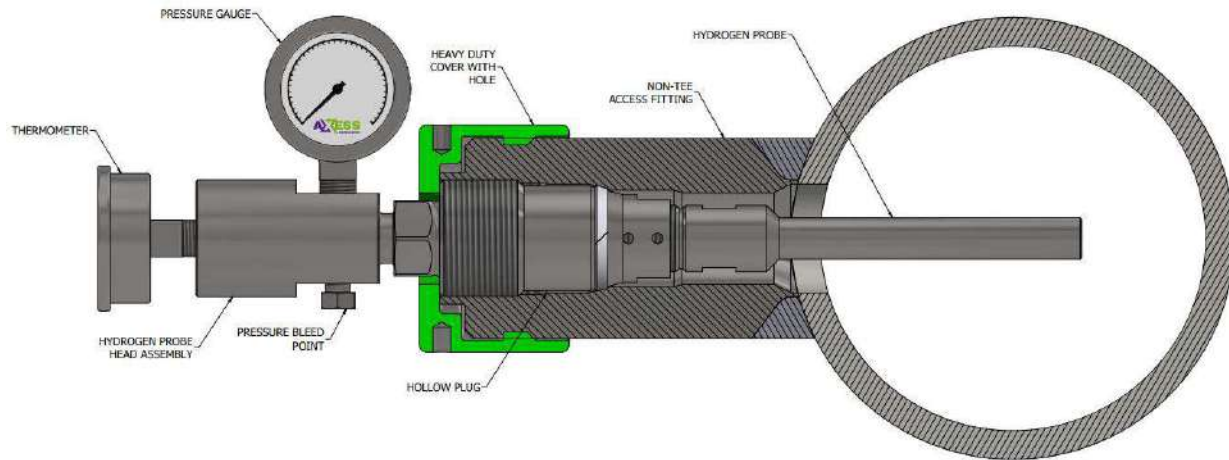




Intrusive Hydrogen Monitoring System

Rated up to 6,000 PSI / 413 Bar and 232°C / 450°F



Intrusive Hydrogen Monitoring Probe Systems

Hydrogen atoms often produced in acidic environments can permeate through steels and are released as hydrogen molecules which lead to hydrogen induced cracking and hydrogen blistering. Intrusive Hydrogen probes make use of the fact that the released hydrogen gas will lead to pressure build up.

Intrusive hydrogen probes consist of a steel tube exposed to the process and connected to a bleed cross assembly which is equipped with a pressure gauge, thermometer and bleed valve. The thermometer is used to measure the temperature of the hydrogen gas so that volume calculation can be made using temperature and pressure. The bleed valve is for releasing the pressure build-up periodically.

An exposure length of 3" is standard for the intrusive hydrogen probe and the wall thickness is thinner than the pipe wall allowing shorter response time. The intrusive hydrogen probe may be removed and replaced under operating pressure permitting on-line replacement or inspection of the tube.



Axess high pressure direct injection and retrieval system comprises the following components:

- High pressure access fitting
- Hollow plug
- Hydrogen probe tube
- Bleed assembly c/w temperature and pressure gauges
- Heavy duty pressure retaining cover (up to 6,000 PSI / 413 Bar)
- Retrieval tool and service valve (see separate brochure and data sheet)

Sample Part Number: HPHYD-A3-6.00-1

Model	Material	Length	Option
High Pressure Hydrogen Probe	316L SS	6.00"	Includes Measurement Assembly

There is other versions of the hydrogen probe available, such as welded patch sensors and adhesive patch sensors, for further information please contact info@axess-corrosion.com to engage with an expert.