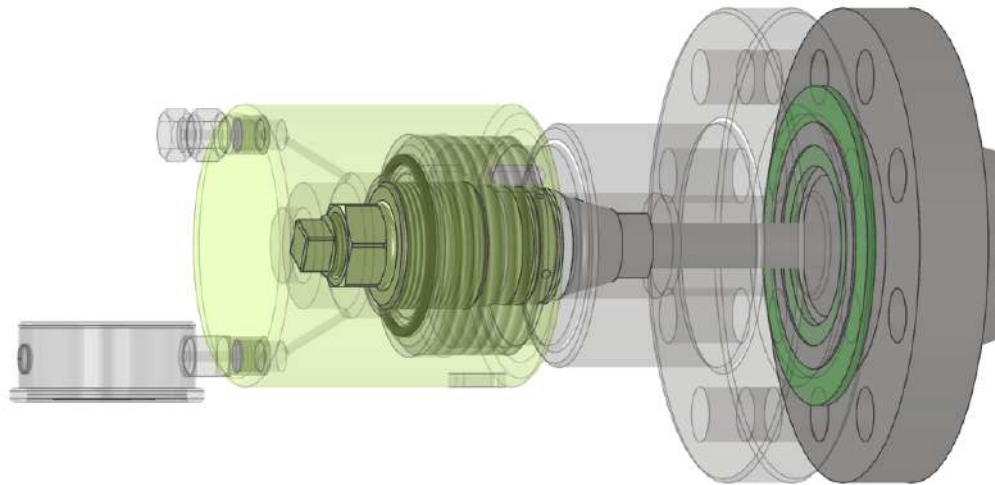


## AX2HP- ACCESS FITTINGS



### HP Mechanical Access Systems

Axess offers a complete range of high pressure access fitting assemblies for installation of intrusive corrosion monitoring and chemical injection devices. The product range comprises both the 2" mechanical system as well as the 2" hydraulic system.

The 2" Access System is a high pressure access system for the mounting of devices into pipework and vessels. The system allows insertion and retrieval of the devices under pressure, enabling monitoring to be maintained continuously without the need to shut down the process.

Mechanical Access Fittings have an internal 1 3/4" UNF parallel thread to receive carrier plugs that connect to various devices and seal into place at pressures up to 10,000 PSI (689 Bar) and temperatures up to 204 °C (400 °F). An external 3" ACME thread enables installation of portable isolation valves used while retrieving devices under line pressure.

Axess 2" Mechanical Access products are compatible and interchangeable with industry standard products.

**PRESSURE RATED UP TO  
10,000 PSI / 689 BAR**

**TEMPERATURE TO 204°C  
/ 400°F**

**RF / RTJ / API FLANGES  
& HUB CONNECTIONS IN  
MANY MATERIALS**

**SIDE TEE CONNECTIONS  
FOR INJECTION OR  
SAMPLING**

**NACE MR0175  
NORSOK AND PED  
COMPLIANCE UPON  
REQUEST**

# Carrier Plugs

## Hollow or Solid?

The Hollow or Solid Plug provides the pressure seal in the access fitting and is the carrier for the corrosion monitoring device (probe or coupon holder). The primary packing is made from PTFE (15% glass filled) as standard but are available in a range of materials including metal seals for high temperature service. The mechanical solid plug has an O-ring that must be selected according to application.

Mechanical hollow plugs are used for online probes like ER (Electric Resistance) and LPR (Linear Polarization Resistance) probes.

Mechanical solid plugs are used for passive monitoring devices including weight loss coupons, bio coupons and injection/ sampling equipment.

Access Hollow and Solid plugs are available in 316 SS and Duplex as standard. Plug threads are coated and Access experts can assist with material selection to reduce or eliminate galling risks.

Special plug designs are available for high velocity applications based on results from wake frequency calculations. Please consult Access for more information.



## Access Fitting

# Safety Covers

The Pressure Retaining Cover provides secondary isolation up to 10,000 PSI / 689 Bar (subject to material). 2-hole pressure retaining covers are used for coupon locations and incorporate a pressure indicator and bleed plug for assessment and servicing. All components are available in numerous materials.

For probe locations 3-hole pressure retaining covers also include a central hole for installation of a probe adaptor. Lighter duty covers in vinyl or carbon steel are available for thread protection during transport and installation only. Access recommends all HP Access Fittings, once commissioned, are installed with Pressure Retaining Covers. The covers are coated as standard and Access can also coat to client specifications. It is important that correct procedures are followed for the installation and removal of all covers.

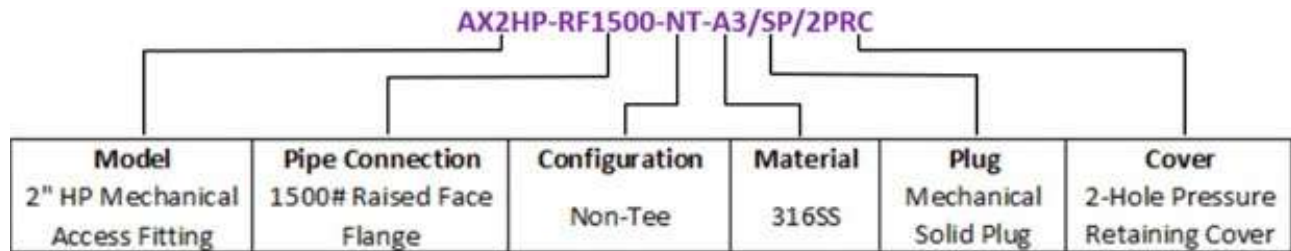


# Access Fitting Side Tees

2" HP access fittings are commonly used for the injection of chemicals to process or for sampling from the process. The ability to maintain or change the injection head under pressure can save time and cost and ensure optimum flow. The tee can be between 1/4" and 1" diameter and configured to suit the type of service. Options for NPT threaded tees, Butt weld tees, and flanged tees are available. Where threaded connections are contemplated, the relevant piping codes should be consulted to ensure these are acceptable. The addition of a tee adds between 1 and 3 inches to the height of the standard access fitting (5 1/4") according to the diameter and rating. Where real estate is in short supply, Axess provides Direct Injection fittings that remove the need for a side tee connection. See the Chemical Injection and Sampling Datasheet for more information.



## Part Number Example



## Additional Reference Links

Janus™ Tri-Seal Axess System  
Janus™ Retrieval Tool Kits  
Chemical Injection and Sampling  
Corrosion Coupon Holders  
ER Probes

2001 Timberloch Place, Suite 500  
The Woodlands Texas 77380, USA  
www.axess-corrosion.com  
+1 (832) 990 6754  
info@axess-corrosion.com

