

HP Mechanical Access Fitting System

High Pressure Access Systems

Rated up to 6,000 PSI / 413 Bar and 232°C / 450°F

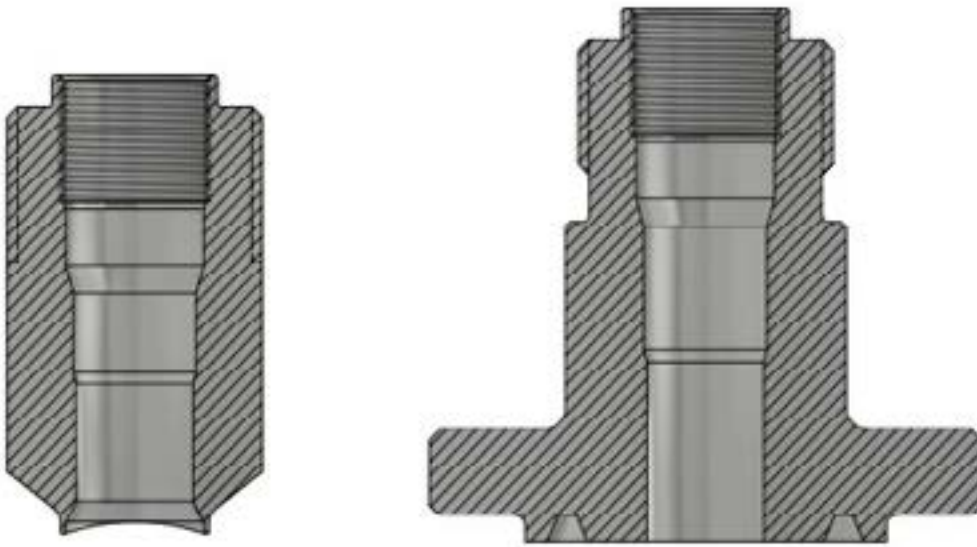


Corr-defense presents an extensive selection of high-pressure access fitting assemblies meticulously crafted for the installation of intrusive corrosion monitoring and chemical injection devices. Our product line encompasses both mechanical and hydraulic systems, with a focus on the 2" models.

The Corr-defense 2" Mechanical Access and Retrieval System provides a comprehensive solution for the secure installation and retrieval of probes and coupons from high-pressure piping and vessels. Engineered to withstand pressures of up to 6,000 PSI (414 Bar) and temperatures of up to 204 °C (400 °F), this system ensures reliability in demanding environments. Moreover, Corr-defense offers specialized fittings tailored to accommodate pressures of up to 10,000 PSI (689 Bar).

Our 2" Mechanical Access products seamlessly integrate with industry-standard offerings from other vendors, guaranteeing compatibility and ease of interchangeability.

Mechanical Access Fittings



Our Mechanical Access Fitting comes in both flareweld and flanged variations, meticulously crafted from standard materials such as ASTM A105, ASTM A350 Gr.LF2, and Duplex steel. However, upon request, alternative versions (like HUB fittings) and materials are also available.

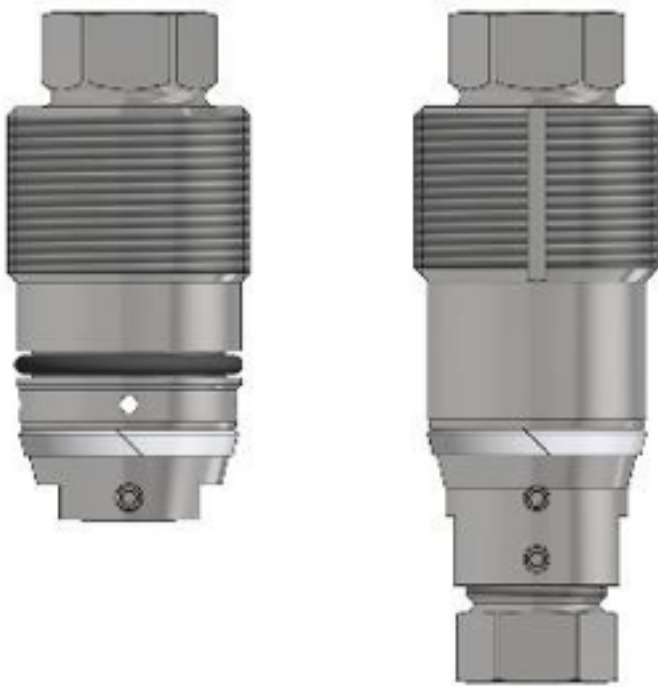
These Mechanical Access Fittings strictly adhere to NACE MR0175 requirements for sour service. Norsok specifications can be provided upon request, and compliance with PED standards is also an option.

Corr-defense also offers 2" Mechanical Access Systems tailored for injection and sampling applications. For more detailed information, please refer to the relevant datasheets or contact a Corr-defense specialist for further assistance.

The Corr-defense 2" Mechanical Access and Retrieval system comprises the following components:

- High pressure mechanical access fitting
- Mechanical hollow and solid plugs
- Heavy duty pressure retaining covers (up to 10,000psi/690 bar)
- Mechanical retrieval tool and service valve (see separate brochure and data sheet)

High Pressure Access Systems



The Hollow or Solid Plug plays a critical role in providing a pressure seal within the access fitting and serves as the carrier for corrosion monitoring devices such as probes or coupon holders. Typically, the primary packing is constructed from PTFE (15% glass filled), though alternative materials, including metal seals suitable for high-temperature environments, are also available. The mechanical solid plug features an O-ring, which must be carefully chosen based on the specific application requirements.

Mechanical hollow plugs are utilized for online probes like ER (Electric Resistance) and LPR (Linear Polarization Resistance) probes, while mechanical solid plugs are employed for passive monitoring devices such as weight loss coupons, bio coupons, and injection/sampling equipment.

Corr-defense offers Hollow and Solid plugs in 316 SS and Duplex as standard options. Additionally, plug threads are coated, and Corr-defense experts can provide assistance in material selection to minimize or eliminate galling issues.

For high-velocity applications, special plug designs are tailored based on findings from wake frequency calculations. For further details, it's recommended to consult with Corr-defense.

The Mechanical Access Fitting features an ACME threaded outlet designed to mate with the service valve of the mechanical retrieval tool system. It establishes a threaded connection with the hollow/solid plug. Internal ACME threaded fittings are also available. To maintain the integrity of the external ACME threaded section, a protective cover is utilized.

Mechanical Access Fitting Covers

The Pressure Retaining Cover provides secondary isolation capabilities of up to 10,000 PSI / 690 Bar (material dependent). Two-hole pressure retaining covers are deployed for coupon locations, equipped with a pressure gauge and bleed port for assessment and maintenance. In cases of probe locations, three-hole pressure retaining covers additionally include a central hole for probe adaptor installation. For thread protection during transport and installation, lighter duty covers made of vinyl or carbon steel are also offered. Corr-defense highly recommends the use of Pressure Retaining Covers with all HP Access Fittings post-commissioning.



Sample part numbering

HPM-1500RF-NT-316SS-SP-2PRC

Model	Pipe Connection	Configuration	Material	Plug	Cover
2" HP Mechanical Access Fitting	1500# Raised Face Flange	Non-Tee	316SS	Mechanical Solid Plug	2-Hole Pressure Retaining Cover