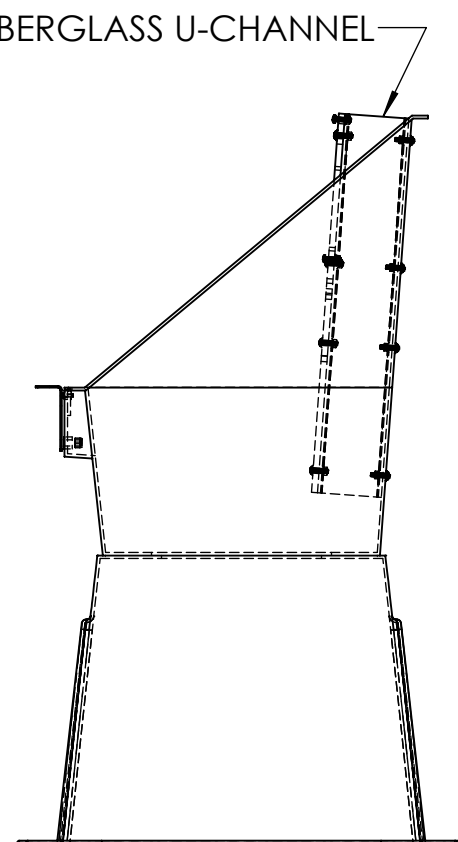
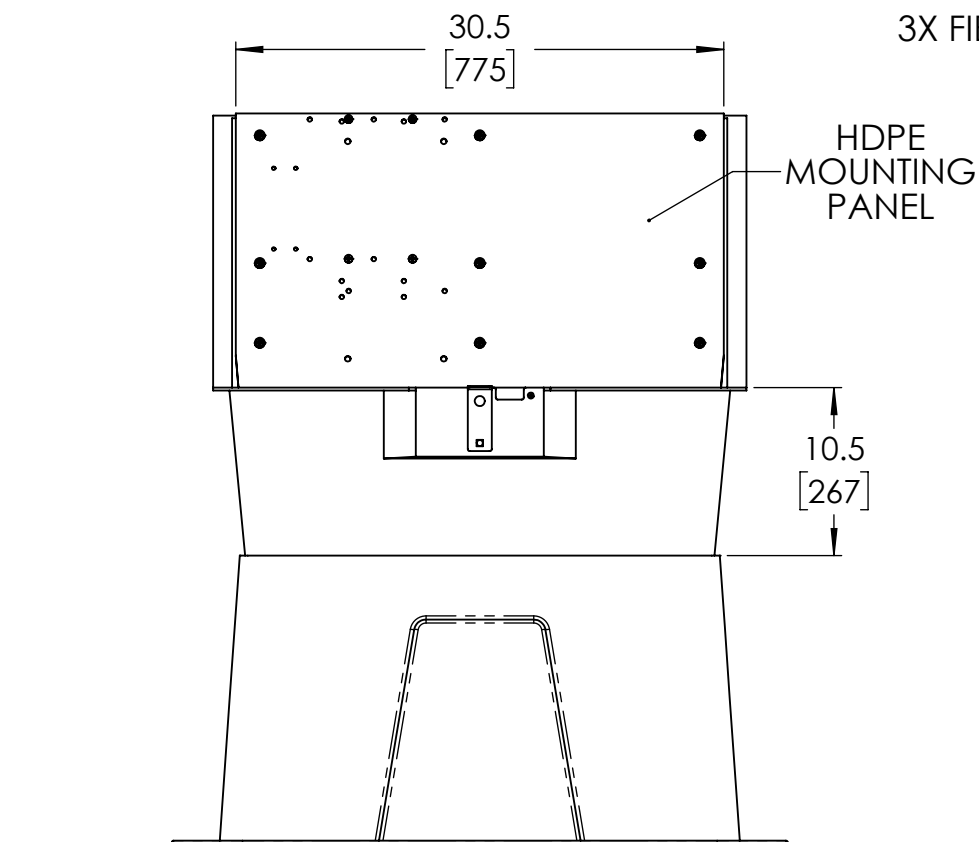
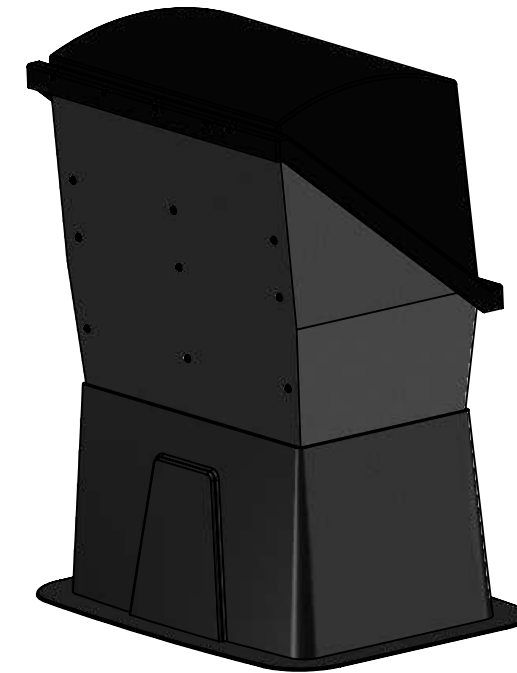
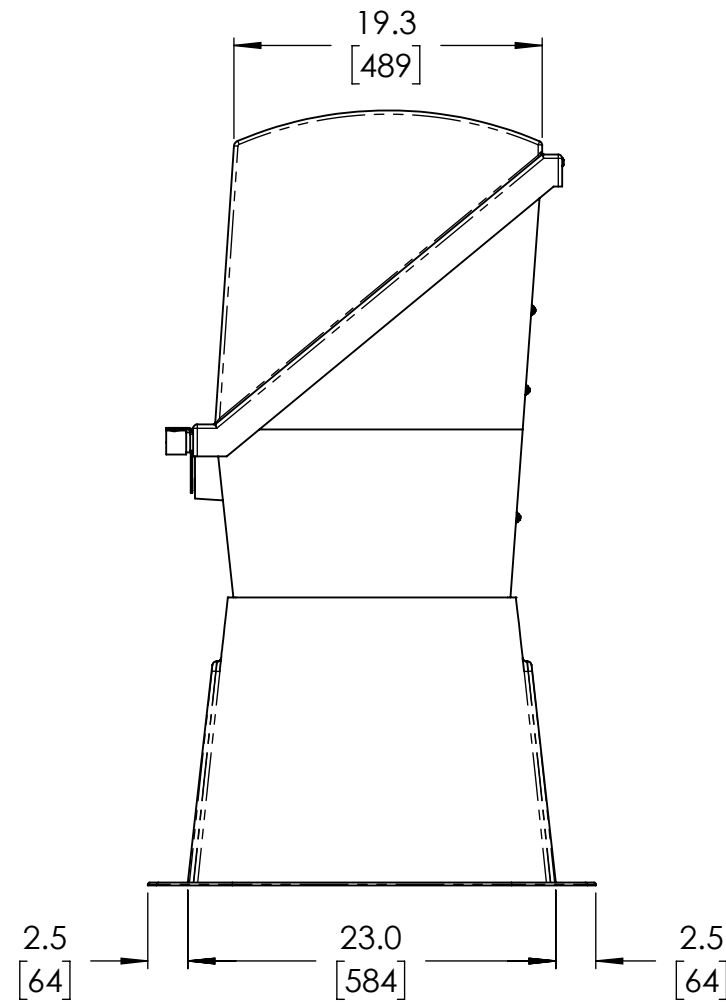
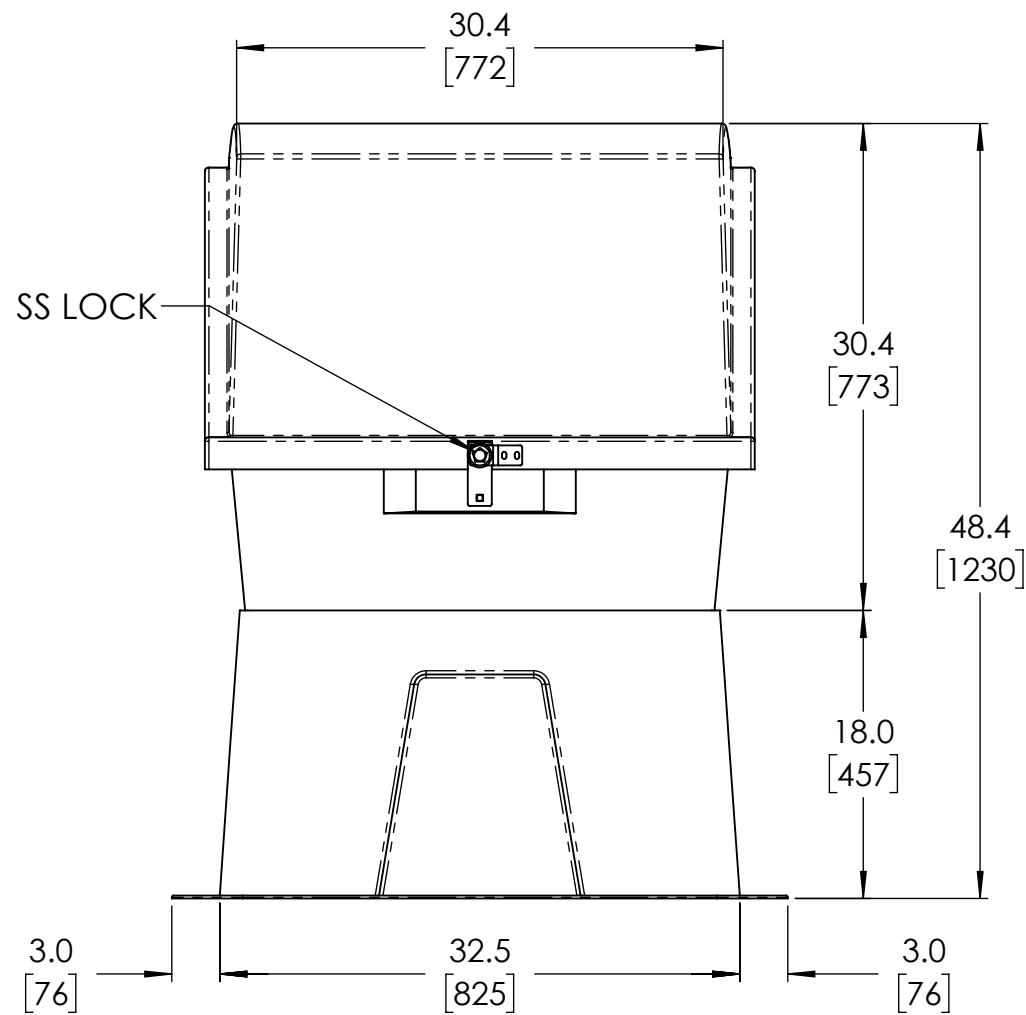


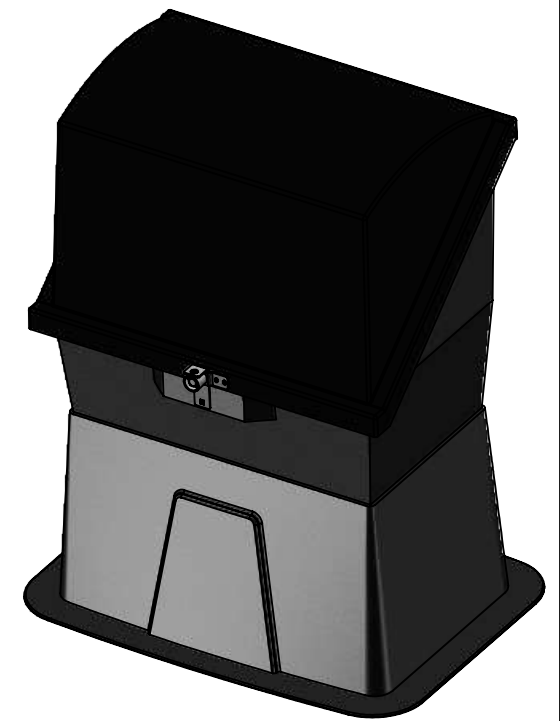
REVISIONS				
REV	CRCO	DESCRIPTION	REV. BY	REV. DATE
A		PRODUCTION RELEASE	JPW	11/8/2017
B	74	ADD NOTE (SHEET 1), ADD SHEET 2 (ECN #74)	JVW	11/20/2017
C	194	ADDED PCRX TO SHEET 2	MAD	10/20/2020



TECNOLOGÍA TOTAL
www.tecnologiatotal.net



DECOUPLER MOUNTING
HARDWARE INCLUDED $\text{\textcircled{B}}$



ANSI Y14.5M 1994 APPLIES
UNLESS NOTED
UNITS: INCHES
3-PLACE: ±.005
2-PLACE: ±.015
1-PLACE / FRAC: ±.03
ANGULAR: ±1



**DAIRYLAND
ELECTRICAL
INDUSTRIES, INC.**
P.O. BOX 187
STOUGHTON,
WI 53589
608-877-9900
DAIRYLAND.COM

DESCRIPTION MTP-48				
DOCUMENT # 100107	REV B	DATE DRAWN 2017-11-08	DWG SIZE B	DATE APPROVAL
SCALE 1:12	DRAWN: JPW	SHEET: 1 OF 2	DWG APPROVAL:	

MOUNT THE SSD OR PCR TO THE BACKPLATE USING THE HARDWARE PROVIDED

SSD OR PCR

PCRX


GROUND LINE

TYPICAL BURIAL DEPTH
 8 - 12"
 [200 - 300mm]

DESCRIPTION MTP-48				
DOCUMENT # 100107	REV B	DATE DRAWN 2017-11-08	DWG SIZE B	DATE APPROVAL
SCALE 1:8	DRAWN: JPW	SHEET: 2 OF 2	DWG APPROVAL:	